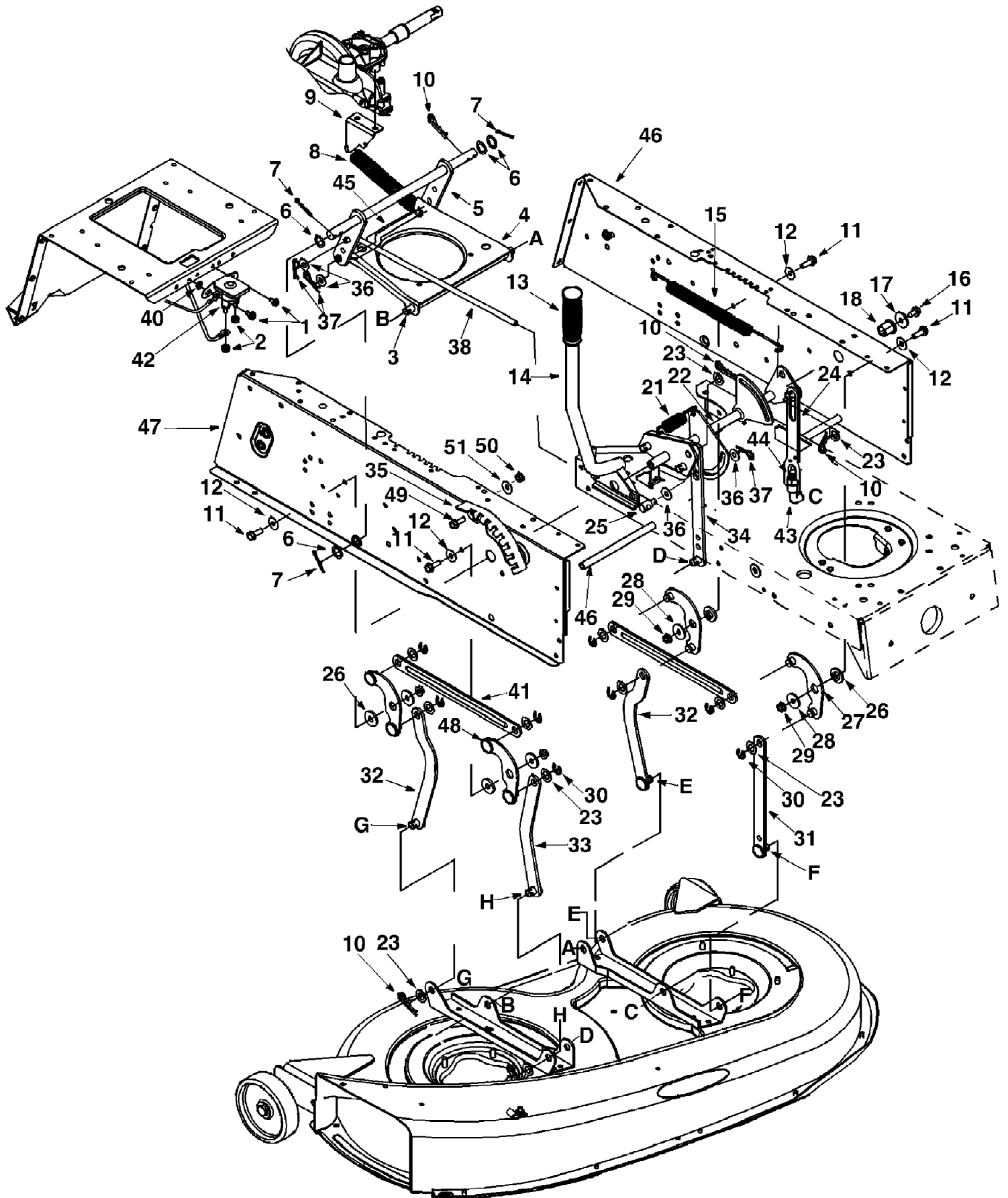


IMPORTANT: For a proper working machine, use Factory Approved Parts. **V-belts** are designed to engage and disengage safely. A substitute (non OEM) V-belt can be dangerous by not disengaging completely.

13AA662F190 LT-13 (2002)
Deck Assembly

Page 2 of 23

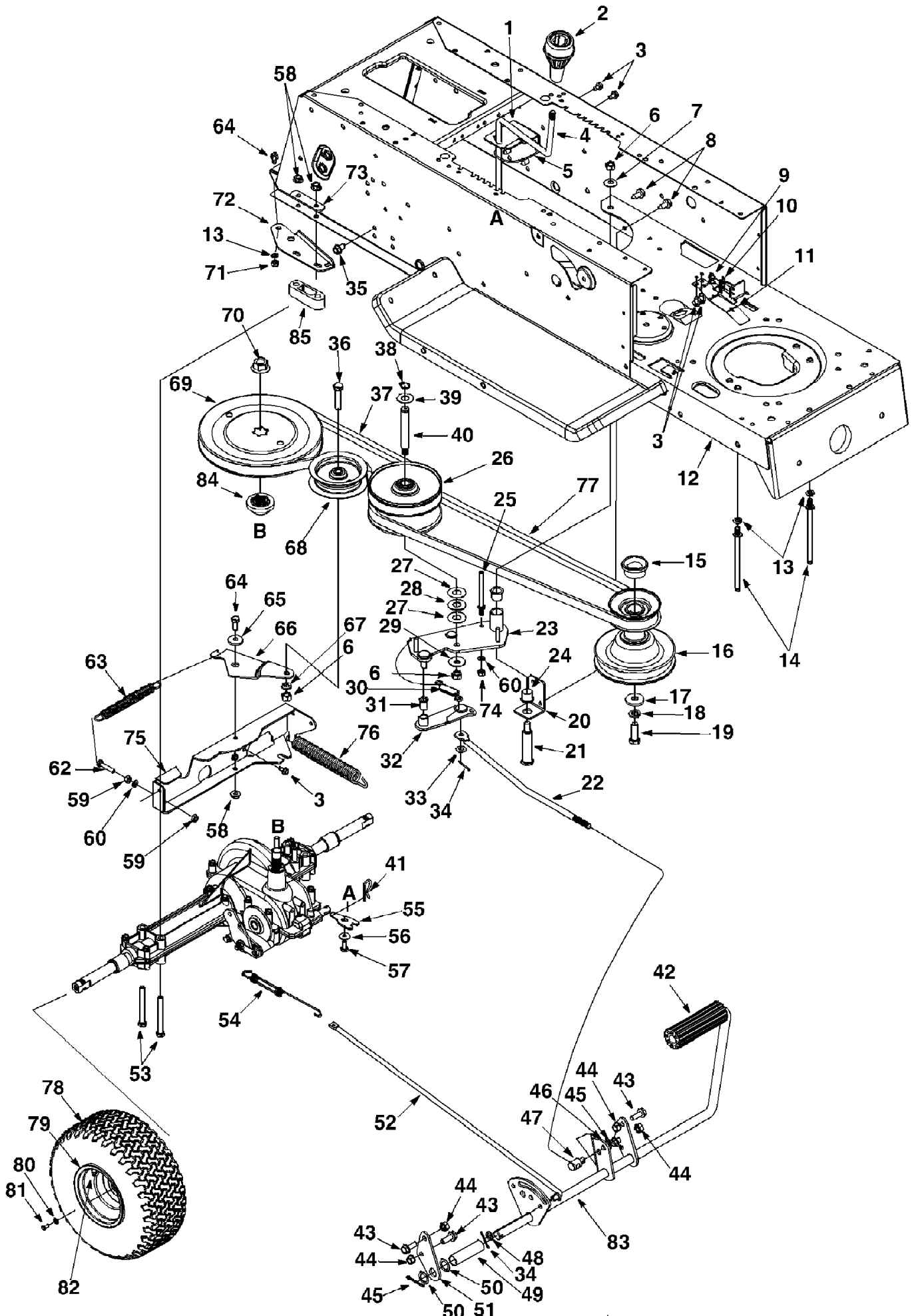
Ref #	Part Number	Qty	S/P/F	Description
1	16606	1	S	Retainer Hook Brkt.
2	618-0138A	1	S	Blade Spdl Ass'y
3	683-0129A	1	/P	Deck Assembly Must be ordered with 4 digit color code.
	753-0694	1	/P	38" Deck Ass'y Comp. (For Service) Must be ordered with 4 digit color code.
4	710-0134	1	/P	Carriage Screw 1/4-20 Thd. Gr.2
5	710-0599	1	/P	Hex Wash. Hd. TT-Tap Scr. 1/4-20 Thd.
6	710-0751	1	/P	Hex Bolt 1/4-20 x .62" Lg.
7	710-1260A	1	/P	Hex Wash. TT-Tap Scr. 5/16-18 x .75"
8	712-0181	1	S	Hex Top L-Nut 3/8-16 Thd.
9	712-0417A	1	/P	Hex Flange Nut 5/8-16 Thd. Deck pulley and blade nuts must be torqued to 100 ft. lbs. if removed or replaced.
10	712-3027	1	S	Hex Flange Nut 1/4-20 Thd.
11	712-3087	1	/P	Wing Nut 1/4-20 Optional
12	731-2363	1	/P	Mulch Plug Optional
13	734-0973	1	/P	Deck Wheel
14	736-0105	1	/P	Bell-Wash. .40" I.D. x .88" O.D.
15	736-0270	1	/P	Bell-Wash. 1/4" I.D. Optional
16	738-0373	1	S	Shoulder Screw
17	742-0610	1	S	3 in 1 blade
	742-0654	1		2 in 1 blade (For bagging and side dischrg)
18	754-0329A	1	S	V Belt
19	783-0343A	1	/P	Belt Guard
20	783-1297	1	S	Deck Skirt
21	731-1032B	1	S	Chute Ass'y (Incl. Ref. 24, 25, 26, 27)
	731-1031B	1		Chute Deflector
22	726-0233	1	/P	Push Nut
23	712-3006	1	/P	Hex Nut 1/4-20 Gr. 5
24	703-1693A	1	/P	Hinge Mounting Brkt.
25	711-0792	1	S	Hinge Pin
26	726-0106	1	S	Speed Nut Cap
27	732-0602A	1	/P	Torsion Spring
28	783-0342	1	S	Brake Disc
29	756-1187	1		5" Dia. Pulley Deck pulley and blade nuts must be torqued to 100 ft. lbs. if removed or replaced.



13AA662F190 LT-13 (2002)
Deck Lift Assembly

Page 4 of 23

Ref #	Part Number	Qty	S/P/F	Description
1	710-0599	1	/P	Self Tap Screw 1/4-20 x .50" Lg.
2	712-0271	1	/P	Sems Hex Nut 1/4-20
3	738-0670A	1	/P	Shaft 1/2" Dia. x 10.50" Lg.
4	17636D	1	S	Stablizer Bracket
5	17624	1	S	Stablizer Shaft Assembly
6	736-0256	1	S	FI-Wash. .635 I.D. x .930 I.D.
7	714-0470	1	S	Cotter Pin 1/8" Dia.
8	732-0556	1	S	Extension Spring 7.58" Lg.
9	17128A	1	S	Spring Retainer Brkt.
10	714-0147	1		Cotter Pin
11	710-1238	1	/P	TT-Tap Scr. 5/16-18 x .75" Lg.
12	736-0425	1	S	Bell-Wash. .325" I.D.
13	720-0233	1	S	Grip (Lift Handle)
14	17675A	1	S	Deck Lift Handle Ass'y
15	732-0638	1		Extension Spring
16	710-0604A	1	/P	TT-Tap Scr. 5/16-18 x .625" Lg.
17	736-0231	1	S	FI-Wash. .344 I.D. x 1.25 O.D.
18	741-0487A	1	S	Flange Bearing .632 I.D.
21	732-0637	1	S	Extension Spring
22	17637A	1		Lift Shaft Assembly
23	736-0160	1	S	FI-Wash. .53 I.D. x .93 O.D.
24	17712	1	S	Adjustable Deck Lift Link
25	711-0723A	1	S	Ferrule 3/8-24 x .375 Dia.
26	748-0331	1	S	Shoulder Spacer .318" Dia.
27	683-0029A	1	S	Pivot Link Ass'y -L.H.
28	736-0231	1	S	FI-Wash. .344 I.D. x .125 O.D.
29	712-3004A	1	/P	Flange L-Nut 5/16-18 Gr. 5
30	716-0104	1	S	"E" Ring
31	14804A	1		Deck Hanger Link Ass'y
32	17710	1	S	Deck Hanger Link Ass'y
33	14800A	1	S	Deck Hanger Link Ass'y
34	14802A	1	S	Link Deck Lift Ass'y
35	17730	1	S	Index Brkt.
36	736-0267	1	S	FI-Wash.
37	714-0145	1	S	Hairpin Clip
38	747-0598	1		Deck Belt Disengagement Rod
40	736-0222	1	S	L-Wash.
41	783-0103	1	S	Connecting Rod
42	725-1426	1	S	Solenoid
42	711-0841	1	S	Lift Link Adjuster
43	712-3066	1	S	Hex Nut 1/2-20 Thd. (Gr. 5)
44	738-0669	1		Shaft 3/8" Dia. x 9.34" Lg.
45	738-0526	1		Running Board Rod
46	783-0043B	1		Upper Frame L.H.
47	783-0042D	1	/P	Upper Frame R.H.
48	683-0028A	1		Pivot Link Assembly- R.H.
49	710-3008	1	/P	Hex Bolt 5/16-18 x .75" Lg.
50	712-3010	1	S	Hex Nut 5/16-18 Thd.
51	736-0119	1	S	Lock Washer 5/16" I.D.



13AA662F190 LT-13 (2002)
Drive And Rear Wheels

Page 6 of 23

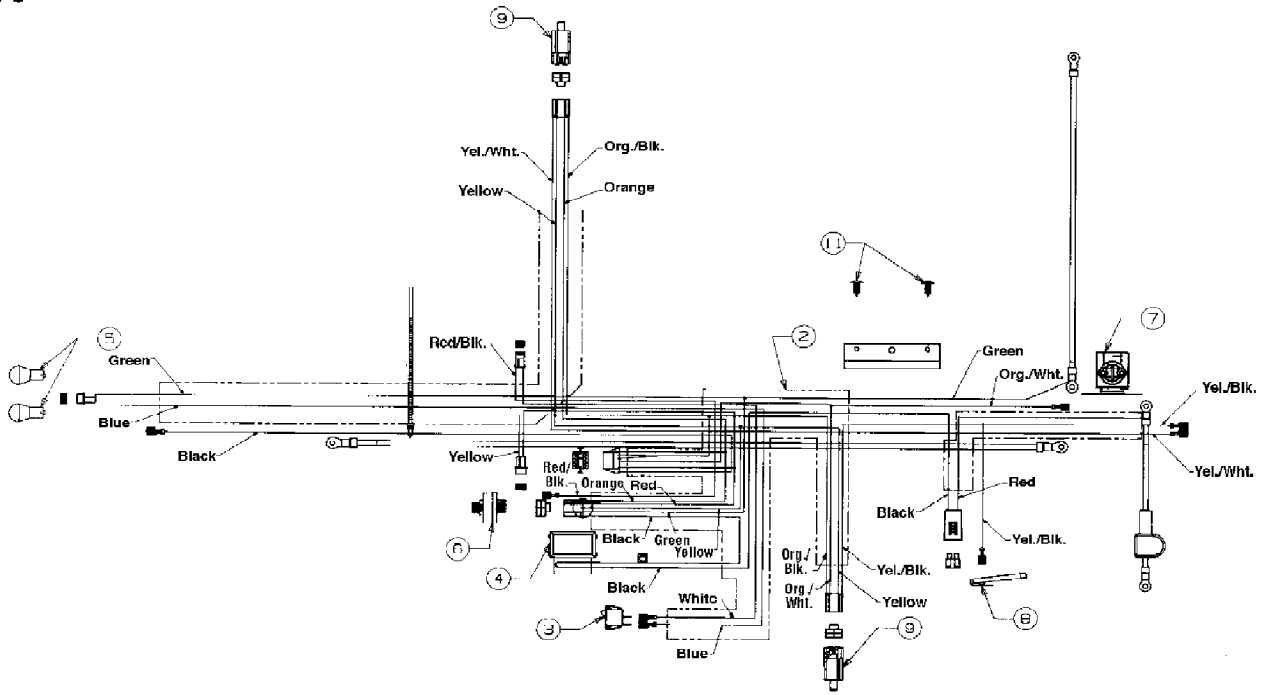
Ref #	Part Number	Qty	S/P/F	Description
1	17630	1	S	Shift Lever Bracket
2	720-0232	1	S	Shift Knob
3	710-0599	1	/P	Self Tap. Screw 1/4-20 x .50" Lg.
4	17705	1	/P	Shift Lever Assembly
5	732-0525	1		Comp. Spring-Clip
6	712-0241	1	/P	Hex Nut 3/8-24 Thd.
7	736-0105	1	/P	Bell Wash. .375" I.D.
8	710-0726	1	/P	AB-Tap Scr. 5/16-18 x .75" Lg.
9	710-0224	1	S	AB-Tap Scr. #10-16 x .5" Lg.
10	17962	1		Switch Plate
11	732-0750A	1	S	Switch Spring Actuator
12	783-0310F	1	/P	Lower Frame
13	736-0119	1	S	L-Wash. 5/16" I.D.
14	711-1044	1	S	Belt Guard Pin 4.75" Lg.
15	750-0956	1		Spacer 1" I.D. x 1.25" Lg.
16	756-0982B	1	/P	Engine Pulley
17	736-0322	1	/P	Fl. Wash. .450" I.D.
18	736-0171	1	S	L-Wash. 7/16" I.D.
19	710-3029	1	/P	Hx Hd. Cap Scr. 7/16-20 x 1.25" Lg.
20	17963	1		Bearing Shaft Bracket Ass'y
21	738-0755	1	S	Shoulder Screw
22	747-0530A	1	/P	Speed Control Link
23	16354B	1	S	Variable Speed Brkt. Ass'y
24	741-0495	1	/P	Flange Brg. 5/8" I.D. x .88" Lg.
25	711-1000	1	S	Belt Keeper 3" Lg.
26	717-0800A	1	S	Variable Speed Pulley Ass'y
27	736-0355	1	/P	Fl-Wash.
28	741-0405	1	S	Thrust Bearing .56" I.D. x 1.25"
29	736-0331	1	/P	Bell Wash. .390" I.D. x 1.13"
30	732-0568	1	S	Extension Spring
31	741-0419	1		Flange Bearing
32	16554A	1	S	Variable Speed Torque Brkt. Ass'y
33	736-0275	1	S	Fl-Wash. .344" I.D.
34	714-0111	1	S	Cotter Pin
35	710-0604A	1	/P	TT-Tap Scr. 5/16-18 x .625" Lg.
36	710-0539	1	/P	Hex Hd. Cap Scr. 3/8-24 x 1.75" Lg.
37	754-0370	1	S	V-Belt
38	716-0114	1	S	Snap Ring .56" Dia.
39	736-0414	1	S	Fl-Wash. .570" I.D. x .120" Lg.
40	738-0569	1	S	Shaft .56" Dia. x 3.79" Lg.
41	714-0209	1	S	Internal Cotter Pin
42	735-0196	1	S	Foot Pad
43	710-1238	1	/P	TT-Tap Scr. 5/16-18 x .75"
44	712-0265	1	/P	Sems Nut 5/16-18
45	714-0470	1	S	Cotter Pin 1/8- 1.25
46	736-0140	1	S	Fl-Wash .385" I.D. x .62" O.D.
47	711-0198	1	S	Ferrule
48	736-0140	1	S	Fl-Wash. .385" I.D. x .62" O.D.
49	750-0802	1		Spacer
50	736-0256	1	S	Fl-Wash. .635" I.D. x .930 O.D.
51	17860	1	S	Pedal Bracket
52	747-0755A	1		Brake Rod
53	710-0189	1		TT-Tap Scr. 5/16-18

13AA662F190 LT-13 (2002)
Drive And Rear Wheels

Page 7 of 23

Ref #	Part Number	Qty	S/P/F	Description
54	732-0413	1	S	Ext. Spring
	732-0642	1	S	Ext. Spring (Used w/ 46" Deck)
55	17707	1		Shift Link Assembly
56	736-0270	1	/P	Bell Wash. .265 x .75
57	710-0195	1	S	Hex Hd. Cap Screw 1/4-28
58	712-3004A	1	/P	Flange L-Nut 5/16-18 Thd.
59	712-0138	1	S	Hex Nut 1/4-28 Thd.
60	736-0329	1	S	L-Wash. 1/4" I.D.
62	710-0428	1		Hex Hd. Cap Screw 1/4-28
63	732-0384	1	S	Extension Spring
64	710-3008	1	/P	Hex Hd. Cap Screw 5/16-18
65	748-0234	1	/P	Shoulder Spacer
66	17643	1	S	Idler Brkt.
67	736-0169	1	S	L-Wash. 3/8" I.D.
68	756-0643A	1	/P	Flat Idler Pulley
69	756-0665	1	S	V Pulley
70	712-0700	1	/P	Flange Nut 9/16
71	712-3010	1	S	Hex Nut 5/16-18 Thd.
72	17668	1	S	Axle Support Brkt. R.H.
	17669	1	S	Axle Support Brkt. L.H.
73	17840	1	S	Transaxle Mounting Brkt.
74	712-3006	1	/P	Hex Nut 1/4-20 Thd.
75	17629A	1	S	Transaxle Support Brkt.
76	732-0556	1	S	Ext. Spring
77	754-0280A	1	S	V-Belt
78	634-0104	1		Wheel Ass'y. Comp.
79	734-1730	1		Tire Only
	634-0070	1	/P	Rim Only
80	736-0242	1	/P	Bell Wash. .340 I.D. x .872 O.D.
81	710-0627	1	/P	Hex Hd. Cap Scr. 5/16-24
82	734-0255	1	S	Air Valve (Service Only)
83	683-0123	1		Clutch Brake Pedal Ass'y
84	718-0758	1	S	Pulley Hub Splined
85	748-0334	1	S	Spacer (Used w/46" Deck)

Over Head Valve

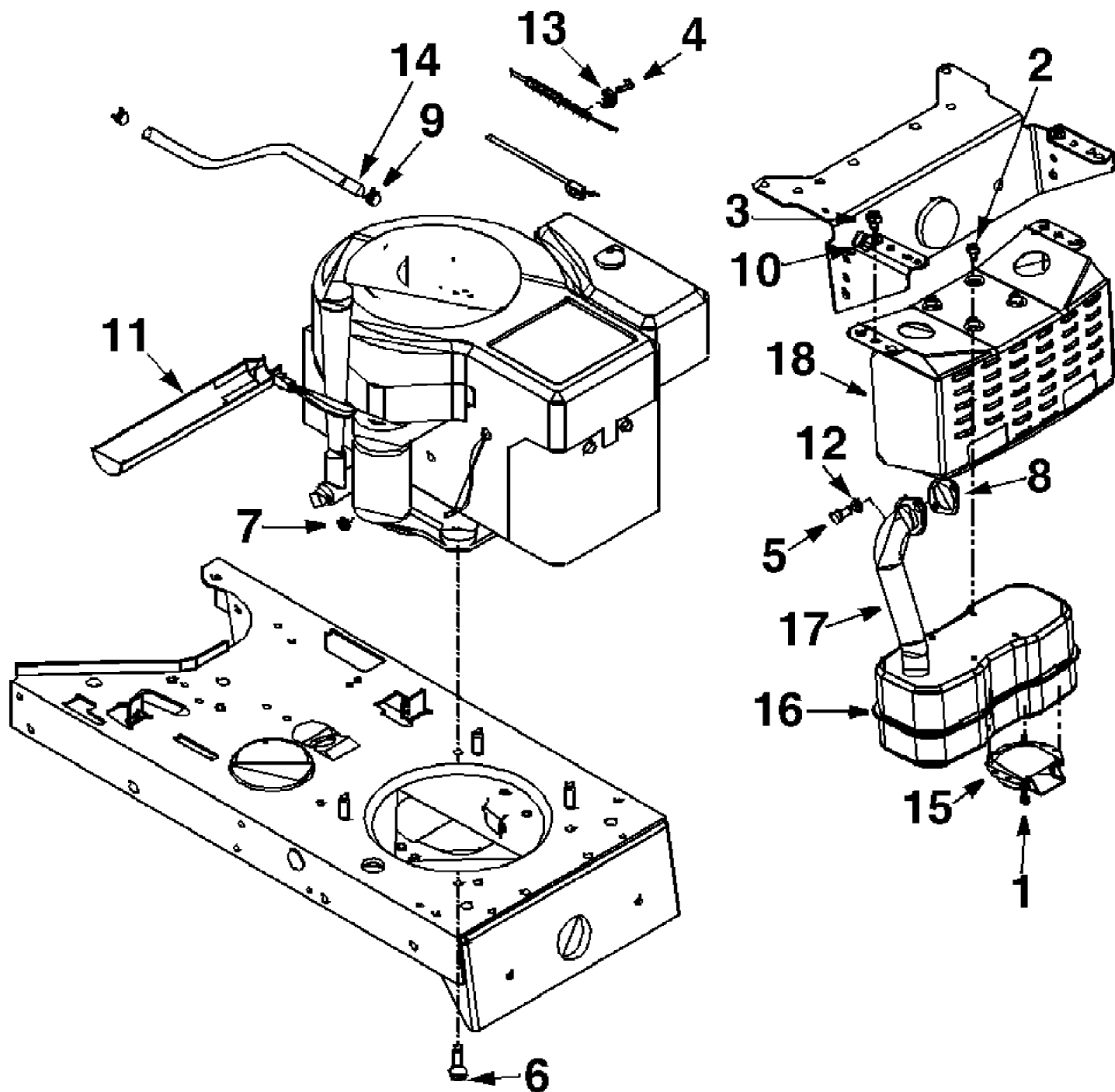


13AA662F190 LT-13 (2002)
Electrical

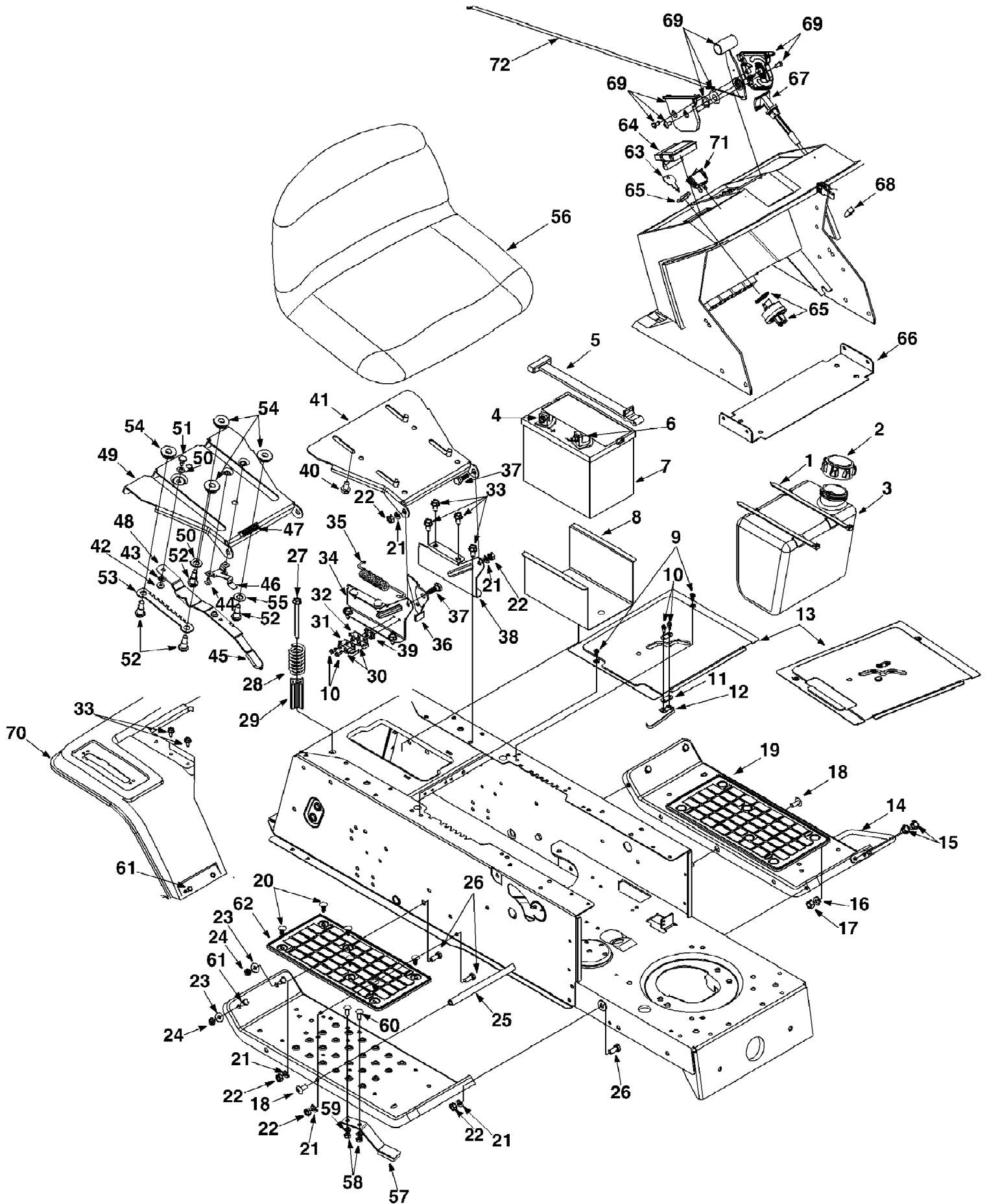
Page 9 of 23

Ref #	Part Number	Qty	S/P/F	Description
?1	629-0305D	1	S	Wire Harness w/Lt./Amp./Sw.
	629-0304E	1	S	Wire Harness w/o Lt./Amp. Sw.
2	725-0634	1	S	Light Switch (Optional)
3	725-0925	1	S	Ammeter (Optional)
4	725-0963	1	S	Bulb (Optional)
5	725-1396	1	S	Ignition Switch
6	725-1426	1	S	Solenoid
7	725-1643	1		Safety Switch (Reverse)
8	725-1657A	1	S	Safety Switch
9		1		UNKNOWN
11		1		UNKNOWN

Over Head Valve



Ref #	Part Number	Qty	S/P/F	Description
1	710-0148	1	/P	Hex Tap Scr. #8-32 x .38" Lg.
2	710-0599	1	/P	Hex TT-Tap Scr. 1/4-20 x .5" Lg.
3	710-0604A	1	/P	Hex TT-Tap Scr. 5/16-18 x .62"
4	710-1237	1		Hex Wash. Scr. #10-32 x .62"
5	710-1314	1	S	Socket Head Scr. 5/16-18 x .62"
6	710-1315	1	/P	Hex TT-Tap Scr. 3.8-16 x 1.25"
7	712-0271	1	/P	Hex Sems Scr. 1/4-20
8	721-0208	1	S	Gasket
9	726-0205	1	/P	Hose Clamp
10	726-0272	1	/P	Clamp
11	731-1682A	1	/P	Oil Drain Sleeve
12	736-0119	1	S	Lock Washer 5/16 I.D.
13	751B213146	1	/P	Casing Clamp
14	751-0535-12	1	S	Fuel Line
15	751-0564	1	S	Muffler Deflector
16	751-0617	1	S	Muffler
17	751-0619	1	S	Exhaust Pipe
18	783-0615B	1	S	Muffler Brkt.



13AA662F190 LT-13 (2002)
Fuel Tank, Seat, Battery, Frame

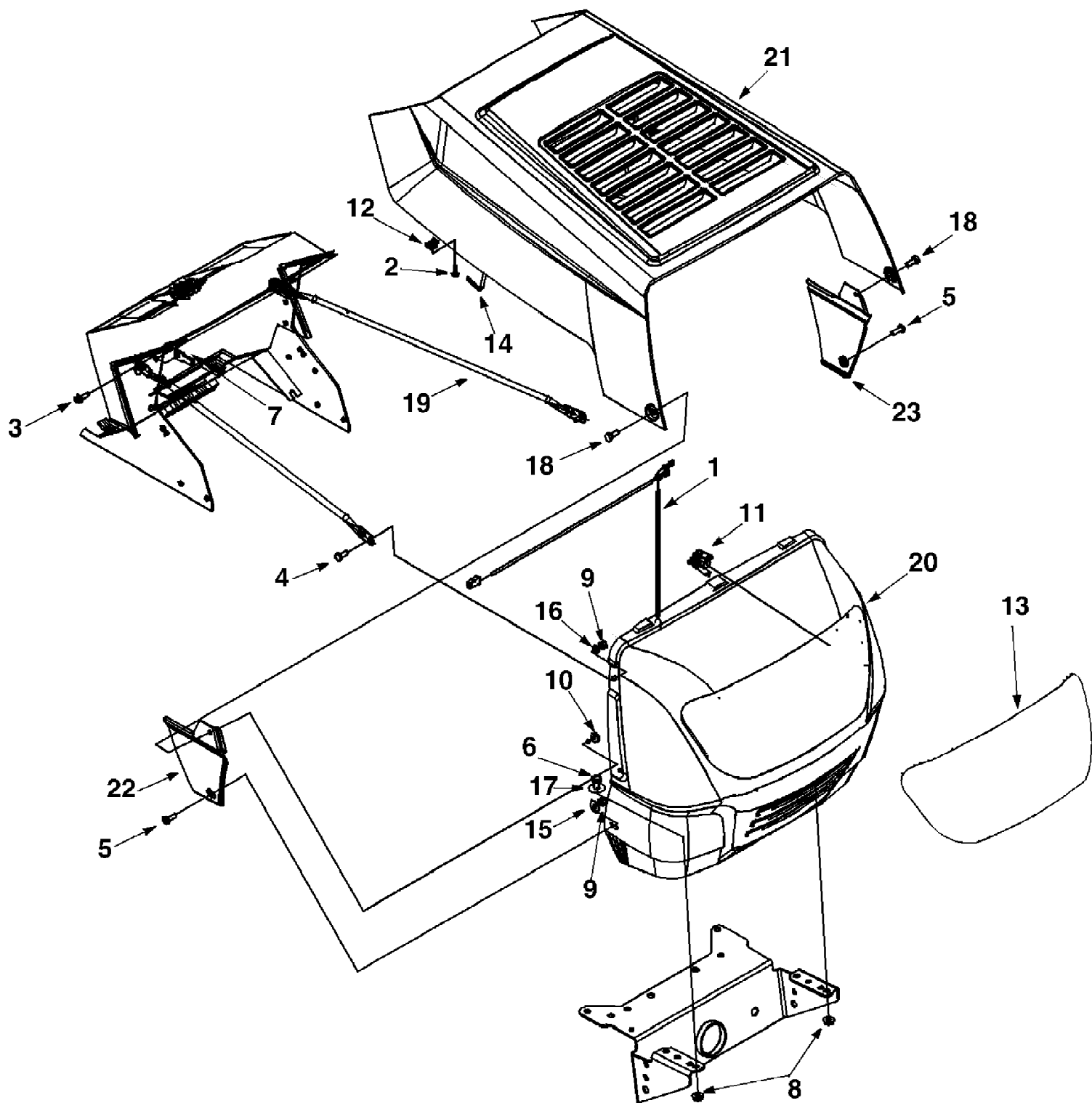
Page 13 of 23

Ref #	Part Number	Qty	S/P/F	Description
1	726-0209	1	/P	Cable Tie
2	751-0603	1	S	Fuel Cap
3	751-0555	1	S	Fuel Tank 1.50 Gal.
4	712-0271	1	/P	Sems Hex Nut 1/4-20 Thd.
5	723-3064	1		Battery Strap
6	710-3015	1	/P	Hex Hd. Cap Screw 1/4-20 Gr. 5
7	725-1750	1	S	Battery
8	783-0345	1	S	Battery Tray
9	710-0351	1	/P	Truss Mach. B-Tap Scr. #10 x .5" Lg.
10	710-0227	1	/P	Hex AB-Tap Scr. #8 x .50" Lg.
11	726-0320	1	S	Insulatop Nut Plate
12	725-1643	1		Reverse Safety Switch
13	17954B	1	S	Shift Cover w/Cutout
14	747-1216	1		Stop Rod
15	710-0604A	1	/P	TT-Tap Scr. 5/16-18 x .625" Lg.
16	736-0169	1	S	L-Wash. 3/8
17	712-3017	1	S	Hex Nut 3/8-16 Thd. Gr. 8
18	710-0323	1	/P	Truss Mach. Scr. 5/16-18 x .75"
19	17770F	1	S	Running Board (R.H. & L.H.)
20	726-3046	1	/P	Ratchet Clip
21	736-0119	1	S	L-Wash. 5/16" I.D.
22	712-3010	1	S	Hex Nut 5/16-18 Thd.
23	736-0270	1	/P	Bell-Wash. .265" I.D. x .75" O.D.
24	712-3006	1	/P	Hex Nut 1/4-20
25	738-0526	1		Running Board Rod
26	710-3008	1	/P	Hex Bolt 5/16-18 x .75" Lg.
27	710-1208	1	/P	Hex Tap Scr. 5/16-18 x 3.25" Lg.
28	732-0735	1	/P	Compression Spring
29	748-0347A	1	/P	Spring Spacer
30	726-0279	1		Insulator Plate
31	725-1303	1	S	Outer Spring Switch Spring
32	725-1439	1		Inner Spring Switch Spring
33	710-0726	1	/P	Hex Wash. AB Scr. 5/16-12 x .75"
34	17950A	1	S	R. H. Pivot Seat Support Brkt.
35	732-0581B	1	S	Extension Spring
36	17239A	1	S	Seat Lift Brkt.
37	738-0296	1	S	Shoulder Bolt .437" Dia. x .268"
38	17951A	1	S	L.H. Pivot Seat Support Brkt.
39	726-0278	1		Insulator Boss Plate
40	710-0870	1	/P	Hex Tap Scr. 3/8-16 x .62" Lg.
41	783-0039A	1	/P	Seat Pivot Brkt.
42	712-3027	1	S	Hex Flanged L-Nut 1/4-20 Thd. Optional
43	736-0175	1	S	Spring Wash. .265 I.D. x .562 O.D. Optional
44	710-1268	1	/P	Hex Wash. Hd. B-Tap Scr. Optional
45	720-0309A	1	/P	Seat Adj. Grip Optional
46	783-0611	1		Seat Adj. Stop Optional
47	732-0499	1		Compression Spring Optional
48	783-0609	1		Seat Adj. Lever Optional
49	783-0607A	1	S	Pivot Seat Brkt. Optional
50	736-0204	1	/P	FI-Wash. .344 I.D. x .62 O.D. Optional
51	738-0137A	1	S	Shoulder Bolt .34" x 1/4-20 Thd. Optional
52	738-1007	1		Shoulder Scr. 3/8-16 Optional
53	783-0753	1		Seat Adj. Stop Optional

13AA662F190 LT-13 (2002)
Fuel Tank, Seat, Battery, Frame

Page 14 of 23

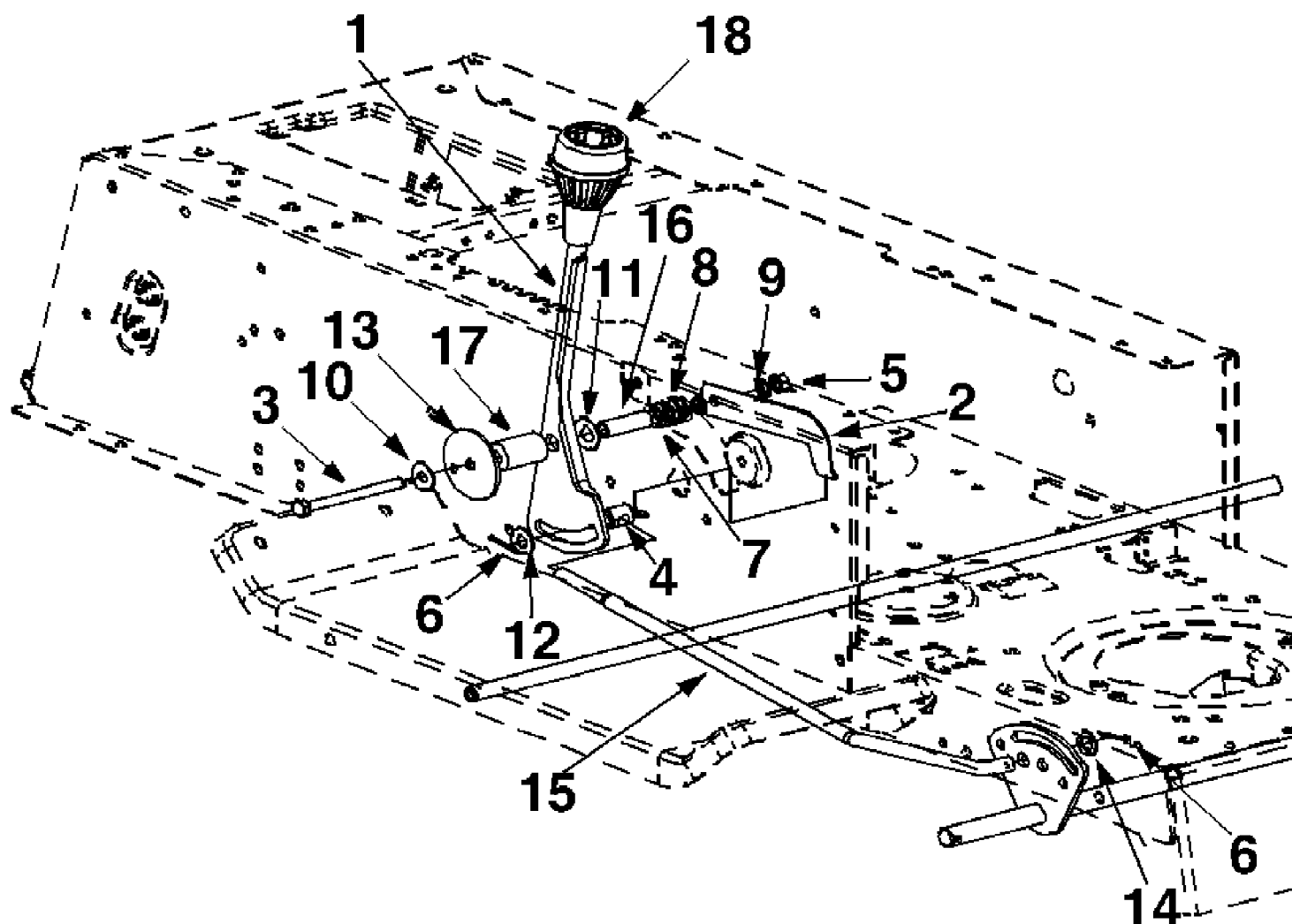
Ref #	Part Number	Qty	S/P/F	Description
54	731-1989	1		Seat Adj. Spacer Optional
55	736-0192	1	S	FI-Wash. .344 I.D. x .62 O.D.
56	757-0360A	1	S	Med. Back Black Seat
57	761-0168B	1	S	Blade Brake Assembly
58	712-3006	1	/P	Hex Nut 1/4-20 Thd.
59	736-0329	1	S	L-Wash. 1/4" I.D.
60	710-0703	1	/P	Carriage Bolt 1/4-20 x .62" Lg.
61	710-0751	1	/P	Hex Hd. Cap Scr. 1/4-20 x .62" Lg.
62	735-0689A	1	/P	Rubber Foot Pad Optional
	723-0422A	1		Abrasive Foot Pad (Not Shown); Optional
63	725-0201	1	S	Ignition Key
64	725-0925	1	S	Ammeter Optional
65	725-0267	1	S	Ignition Switch
66	17632B	1	S	Gas Tank Support Brkt.
67	746-0616A	1	S	Choke Control 23"
68	17782	1		Choke Retainer
69	831-0823A	1	/P	Throttle Box Ass'y
70	17870A	1		Fender
71	725-0634	1	S	Light Switch Optional
72	746-0776	1	S	Throttle Control Wire 18.5"
	731-2515	1		Dash w/Ammeter Hole
	731-1337A	1	/P	Dash w/o Ammeter Hole



13AA662F190 LT-13 (2002)
Hood Assembly

Page 16 of 23

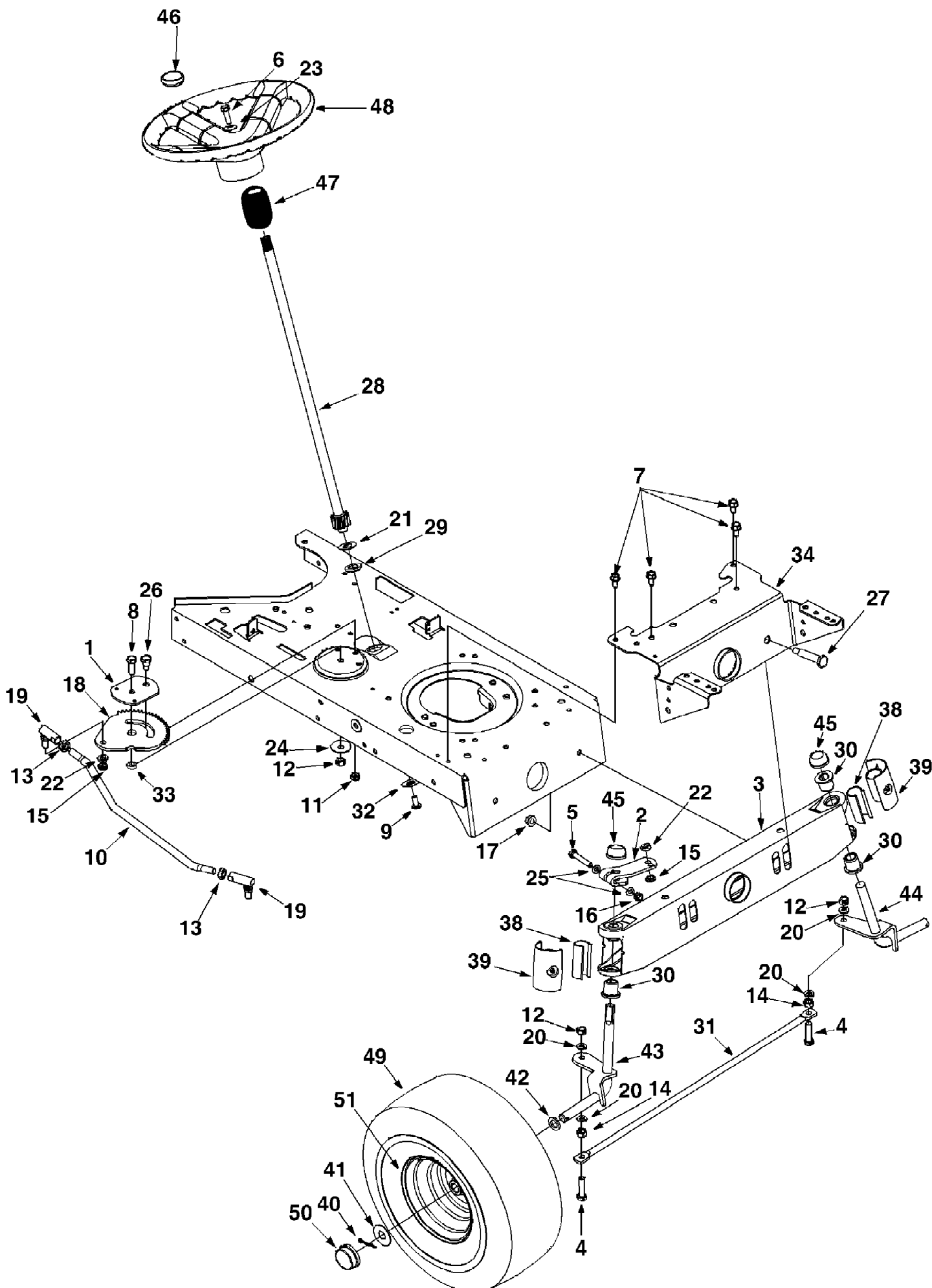
Ref #	Part Number	Qty	S/P/F	Description
1	629-0469A	1	S	Headlight Harness Assembly
2	710-0589	1	/P	Truss. Mach. Scr. #10-24 x .75"
3	710-0642	1	/P	Hex TT-Tap Scr. 1/4-20 x .75" Lg.
4	710-0751	1	/P	Hex Bolt 1/4-20 x .5/8" Lg.
5	710-0924	1	/P	Pan Hd. Mach. Scr. 1/4-20 x .75"
6	710-3008	1	/P	Hex Bolt 5/16-18 x .75" Lg.
7	712-0185	1		Speed Nut 1/4-20 Thd.
8	712-3004A	1	/P	Flange L-Nut 5/16-18 Thd.
9	712-3006	1	/P	Hex Sems Nut 1/4-20 Thd.
10	712-3027	1	S	Hex Flange L-Nut 1/4-20 Thd.
11	725-1651	1	S	Socket
11	725-0963	1	S	Lamp Not shown
12	726-0130	1	S	Speed Nut
13	731-1503A	1	S	Lens
13	726-04077	1		Nut, Push 3/32 Not shown
14	732-0699	1		Hood Spring
15	736-0270	1	/P	Bell Wash. .265" I.D. x .75" O.D.
16	736-0329	1	S	L-Wash. 1/4" I.D.
17	736-3078	1	/P	FI-Wash. .349" I.D. x 1.0" O.D.
18	738-0952A	1	S	Shldr Bolt. .375" I.D. x 1.25" O.D.
19	749-0722B	1	S	Grille Support Rod
20	783-0156A	1		Grill
21	783-0250	1		Hood
22	783-0366	1		R.H. Side Panel
23	783-0367	1		L.H. Side Panel



13AA662F190 LT-13 (2002)
Speed Control

Page 18 of 23

Ref #	Part Number	Qty	S/P/F	Description
1	17888A	1	/P	Speed Selector Lever
2	17956	1		Shift Lever Support
3	710-3056	1		Hex Bolt 5/16-18 x 3.25" Lg.
4	711-0198	1	S	Ferrule 3/8-24 Thd.
5	712-3010	1	S	Hex Nut 5/16-18 Thd.*
6	714-0111	1	S	Cotter Pin 3/32" Dia. x 1"
7	726-0201	1		Speed Nut 5/16-18 Thd.*
8	732-0645	1	S	Compression Spring
9	736-0119	1	S	L-Wash. 5/16" I.D.*
10	736-0159	1	S	FI-Wash. .345" I.D. x .88"
11	736-0253	1	S	Bell-Wash. .505" I.D. x 1"
12	736-0300	1	S	FI-Wash. .385" I.D. x .87"
13	736-0418A	1	/P	FI-Wash. .34" I.D. x 2.25"
14	736-3024	1		FI-Wash. .469" I.D. x .75"
15	747-0787	1		Speed Control Rod
16	750-0662	1		Spacer 1.56" Lg.
17	750-0913	1		Spacer 1.46" Lg.
18	720-0232	1	S	Shift Knob



13AA662F190 LT-13 (2002)
Steering, Front Wheels And Axle

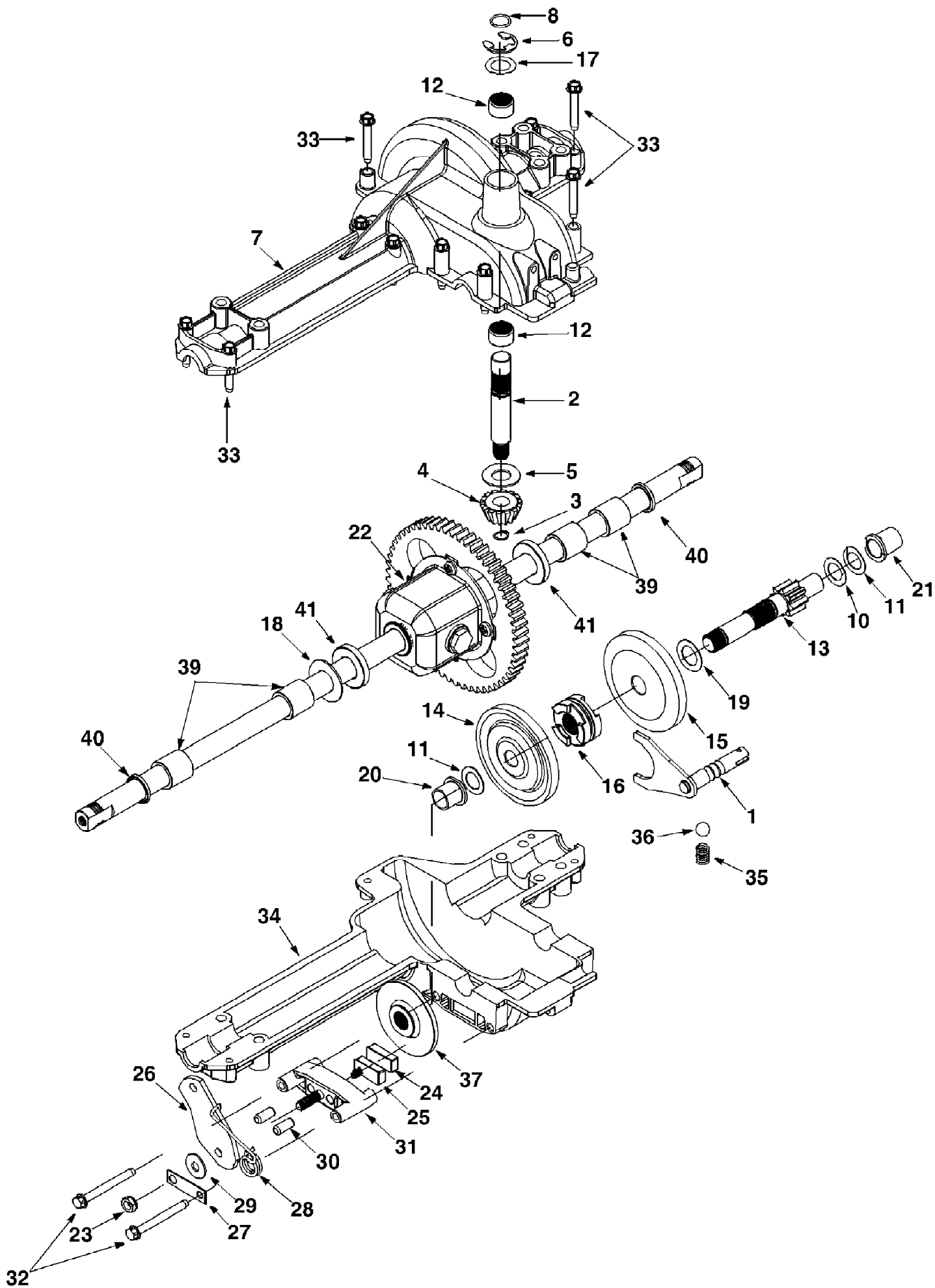
Page 20 of 23

Ref #	Part Number	Qty	S/P/F	Description
1	17198A	1	S	Retainer Plate
2	16481A	1	S	Steering Arm Front Axle
3	683-0128A	1	S	Pivot Bar Ass'y
4	710-0459A	1	/P	Hex Bolt 3/8-24 x 1.5" Lg. (Gr. 5)
5	710-0593	1		Hex Bolt 5/16-24 x 2.25" Lg.
6	710-0643	1	/P	Hex Bolt 5/16-18 x 1" Lg.
7	710-0726	1	/P	Hex Wash. Hd. Self-Tap Scr.
8	710-1039	1	/P	Hex Hd. Cap Scr. 3/8-24 x 1.0 Gr. 5
9	710-1309	1	/P	Hex Patch Bolt 5/16-18 x .62"
10	747-1268A	1	S	Steering Drag Link (Requires one Ball Joint)
	741-0475	1	S	Plastic Bushing (Not Shown)
	712-3004A	1	/P	5/16 Nut (Not Shown)
11	712-0158	1	S	Hex Cent. L-Nut 5/16-18 Thd.
12	712-0214	1	S	Hex Cent. L-Nut 3/8-24 Thd.
13	712-0240	1	S	Jam Nut 7/16-20 Gr. 2
14	712-0241	1	/P	Hex Nut 3/8-24 Gr.5
15	712-0262	1	/P	Hex Jam Nut 3/8-24 Thd.
16	712-0411	1	S	Hex L-Nut 5/16-24 Thd.
17	712-0431	1	S	Flanged L-Nut 3/8-16 Thd.
18	717-1757	1	S	Steering Gear Segment with Stud
19	723-0448A	1	S	Ball Joint 7/16-20 Thd.
20	736-0169	1	S	L-Wash. 3.8" I.D.
21	736-0187	1	/P	FI-Wash. (Hardened)
22	736-0217	1	S	L-Wash.
23	736-0242	1	/P	Bell. Wash. .340 I.D. x .872 O.D.
24	736-0356	1	S	Bell. Wash. .39 I.D. x 1.38 O.D.
25	736-3081	1		FI-Wash. .320 x .600 x .060
26	738-0141	1	S	Shoulder Bolt .437 x .35 Lg.
27	738-0527	1	S	Shoulder Bolt
28	738-0919	1	S	Steering Shaft
29	741-0656	1	S	Hex Flg. Brg. .634 I.D.
30	741-0659	1	S	Hex Flg. Brg. .632 I.D.
31	747-0861	1	S	Tie Rod
32	748-0389	1	S	Cap
33	750-0535	1	S	Spacer .380" I.D. x .625" O.D.
34	783-0041B	1	/P	Pivot Bar Bracket
38	731-1649	1		Axle Cap
39	731-1291A	1	S	Pivot Bar End Cap If Equipped
40	714-0470	1	S	Cotter Pin
41	736-0285	1	/P	FI-Wash. .635 I.D. x 1.589 O.D.
42	736-0162	1	/P	FI-Wash. .641 I.D. x 1.0 O.D.
43	683-0126	1	S	Front Axle Assembly R.H.
44	683-0127	1	S	Front Axle Assembly L.H.
45	726-0214	1	/P	Push Cap
46	731-0220	1	S	Steering Wheel Cap
47	731-0954	1	S	Steering Bellow
48	631-0027	1	S	Steering Wheel
49	634-0105A	1	S	Wheel Ass'y Comp.
	734-1731	1		Tire Only
	634-0172	1		Rim Only
	741-0487A	1	S	Bearing
	734-0255	1	S	Air Valve
	737-0211A	1	/P	Pin (Optional)

13AA662F190 LT-13 (2002)
Steering, Front Wheels And Axle

Page 21 of 23

Ref #	Part Number	Qty	S/P/F	Description
	737-0212A	1	/P	Grease Plug
	683-0127	1	S	Front Axle Ass'y-L.H.
	683-0126	1	S	Front Axle Ass'y-R.H.
50	731-0484A	1	S	Front Wheel Hub Cap
51	634-0172	1		Front Wheel Rim Only



13AA662F190 LT-13 (2002)
Transaxle

Page 23 of 23

Ref #	Part Number	Qty	S/P/F	Description
1	611-0011	1	S	Shift Fork Assembly
2	711-1109	1		Input Shaft
3	716-0108	1	S	Retaining Ring
4	717-1464	1		Pinion Input 14T
5	736-0335	1	S	Needle Brg. 5/8" I.D. x 1" O.D.
6	716-0231	1	S	"E" Ring
7	719-0367	1		Upper Housing
8	732-0614	1		Wire RIng
10	736-0495	1	S	Thrust Wash. 5/8" I.D. x 1" O.D. x .025" Thk.
	736-0336	1	S	FI-Wash. 5/8" I.D. x 1" O.D. x .030" Thk.
	736-0494	1		Thrust Wash. 5/8" I.D. x 1" O.D. x .035" Thk.
	736-0337	1	S	FI-Wash. 5/8" I.D. x 1" O.D. x .040" Thk.
11	736-0349	1	S	FI-Wash. 5/8" I.D. x 1" O.D. x .020 Thd.
12	741-0335	1	S	Needle Brg. 5/8" I.D. x 1/2" Lg.
13	711-1003	1	S	Drive Shaft - R.H. Brake
14	717-1362	1	S	Bevel Gear 42T Small I.D.
15	717-1363	1	S	Bevel Gear 42T Large I.D.
16	718-0228	1		Clutch Collar
17	736-0349	1	S	FI-Wash. 5/8" I.D. x 1" O.D. x .020" Thk.
	736-0336	1	S	FI-Wash. 5/8" I.D. x 1" O.D. x .030" Thk.
	736-0337	1	S	FI-Wash. 5/8" I.D. x 1" O.D. x .040" Thk.
18	736-0492	1	S	FI-Wash. .76" I.D. x 1.5" O.D. x .010" Thk.
	736-0493	1	S	FI-Wash. .76" I.D. x 1.5" O.D. x .020" Thk.
	736-0351	1	S	FI-Wash. .76" I.D. x 1.5" O.D. x .030" Thk.
	736-0445	1	S	FI-Wash. .76" I.D. x 1.5" O.D. x .060" Thk.
19	736-0519	1	S	Thrust Washer
20	741-0336	1	S	Flange Brg. 5/8" I.D. x 3/4" Lg.
21	741-0337	1	S	Flange Brg. 5/8" I.D. x 15/16" Lg.
22	618-0162	1	S	Differential Ass'y
23	712-0273	1	S	Hex Nut 5/16-24 Thd.
24	717-0678	1	S	Brake Puck
25	717-0682	1	S	Puck Plate
26	717-0700	1	/P	Actuating Arm
27	718-0150	1		Anti-Rotation Brkt.
28	732-0742	1	S	R.H. Brake Spring
29	736-0371	1	/P	FI-Wash. .344 I.D. x .875" O.D.
30	741-0343	1	S	Actuating Pin 5/16" Dia.
31	761-0198	1	S	Brake Yoke
32	710-1206	1	/P	Hex Wash. Hd. Self-Tap Scr. 1/4-20
33	710-1325	1	/P	Hex Tap Scr. 1/4-20 x 1.625" Lg.
34	719-0313B	1	/P	Lower Housing
35	732-0863	1	S	Spring Detent
36	741-0862	1	/P	Ball Detent .250" Dia.
37	761-0202	1		Brake Disc.
?38	737-0148	1	S	Grease-Shell (15 oz.)
39	741-0340	1	S	Sleeve Bearing 3/4" I.D. 1.0" Lg.
40	721-0338	1	S	Oil Sleeve 3/4" I.D.
41	736-0445	1	S	FI-Wash. .760" I.D. x 1.5" O.D.
	618-0163B	1	S	Transaxle Complete